

## Manual Motor Protectors



## Manual Motor Protectors

## Product Description

Eaton's new **XT** family of manual motor protectors (MMPs) features a pushbutton or rotary ON/OFF manual disconnect, Class 10 adjustable bimetallic overload relay and fixed magnetic short-circuit trip capability in one compact unit. Two frame sizes are available: Frame B (45 mm) for motors with FLA ratings up to 32A and Frame D (55 mm) covers motor FLA ratings up to 65A.

## Application Description

The XTPB and XTPR MMPs can be used in the following applications.

**Motor Protective Circuit Breaker**

In many countries outside of the United States and Canada, especially Europe, the MMPs are tested and classified as thermal-magnetic circuit breakers for use in motor branch circuits. This can be an important consideration for all companies who export their equipment and machines internationally. Both the XTPB and XTPR conform to IEC/EN 60947 and have the CE Mark.

**Manual Motor Protectors**

The XTPB and XTPR MMPs are UL listed under UL 508 as manual motor protectors. They provide an economical solution for applications requiring simple manual starting and stopping of motors. When used as a manual starter, they are typically installed in an enclosure. Many enclosures are offered as accessories for the MMPs. Separate short-circuit protective devices, such as circuit breakers or fuses, are wired ahead of the MMPs. The short-circuit protective device should be sized per the NEC and should not exceed 400% of the maximum FLA dial setting of the MMP.

## Contents

**Description**

	<b>Page</b>
Relays and Timers . . . . .	<b>V5-T1-3</b>
Miniature Controls . . . . .	<b>V5-T1-18</b>
Contactors and Starters . . . . .	<b>V5-T1-35</b>
Thermal Overload Relays . . . . .	<b>V5-T1-128</b>
C440/ <b>XT</b> Electronic Overload Relay . . . . .	<b>V5-T1-141</b>
Manual Motor Protectors	
Features and Benefits . . . . .	<b>V5-T1-158</b>
Standards and Certifications . . . . .	<b>V5-T1-158</b>
Product Identification . . . . .	<b>V5-T1-159</b>
Catalog Number Selection . . . . .	<b>V5-T1-160</b>
Product Selection . . . . .	<b>V5-T1-161</b>
Accessories . . . . .	<b>V5-T1-164</b>
Technical Data and Specifications . . . . .	<b>V5-T1-176</b>
Dimensions . . . . .	<b>V5-T1-185</b>
Combination Motor Controllers . . . . .	<b>V5-T1-193</b>
<b>XT</b> Electronic Manual Motor Protector . . . . .	<b>V5-T1-216</b>
EMS—Electronic Motor Starter . . . . .	<b>V5-T1-229</b>
Reference Data . . . . .	<b>V5-T1-231</b>

**Group Motor Installations**

A group motor installation can be defined as more than one motor circuit protected by a single set of fuses or circuit breaker on a motor branch circuit. This eliminates the need for individual fuses or circuit breakers for each motor circuit. Substantial component cost savings, panel space savings and reduced wiring installation time can be achieved in group motor installations.

The MMPs are tested and listed for group installation. If remote operation is required, a magnetic contactor can be wired in series with the MMP.

Article 430.53 of the NEC contains the rules and requirements for group motor installations. Refer to application note AP03402001E for NEC requirement for group motor installation.

**Individual Branch Motor Applications**

A UL 508 Type E self-protected manual combination starter/motor controller consists of a single device possessing four essential elements: disconnect, short circuit protection, motor controller, and motor overload protection. Some MMPs require use of a lineside adapter for this type of approval. When tested as an official combination by UL, this device takes the place of a fuse-starter or breaker-starter, **XT** Type E MMPs are self-protected, meaning they do not need additional short circuit protection of a fuse or breaker. Type E devices can also be used with a contactor or other types of UL approved controllers. If tested with a contactor, the combination motor controller becomes a Type F device. See **Page V5-T1-199** for XTFC Type F devices.

#### 1

### Features and Benefits

- ON/OFF rotary handle with lockout provision
- Visible trip indication
- Class 10 overload protection
- Phase loss sensitivity
- Ambient temperature compensation to IEC/EN 60947, VDE 0660
- Fixed short-circuit trip—14 times maximum setting of overload FLA dial
- Type 2 coordination per IEC 947
- Identification markers standard on starter faceplate
- Motor applications from 0.1A to 65A
- Built-in heater and magnetic trip elements to protect the motor
- Adjustment dial for setting motor FLA
- DIN rail mount
- Terminal types available:
  - Screw terminals
  - Screw (line) and spring cage (load) terminals
  - Spring cage terminals
- Accessories include:
  - Front and side auxiliary contacts
  - Trip indicating contacts
  - Tamperproof cover for OLR dial
  - Undervoltage release
  - Shunt trip
  - Through-the-door operators
  - Enclosures
  - Three-phase line side connecting links

### Standards and Certifications

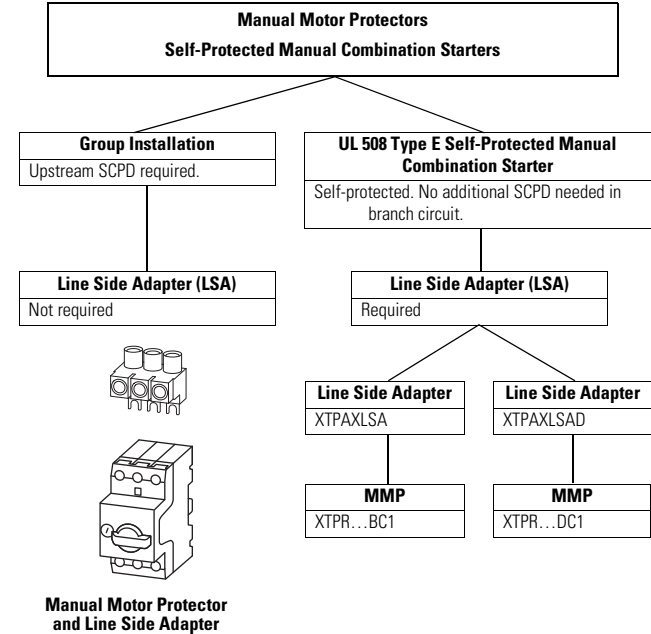
- CE approved
- UL listed File No. E245398
- UL 508 group motor and Type E compliant
- IEC/EN 60947
- CSA File 229767, Class 3211-05
- DIN VDE 0660 Part 100, Part 101 and Part 102



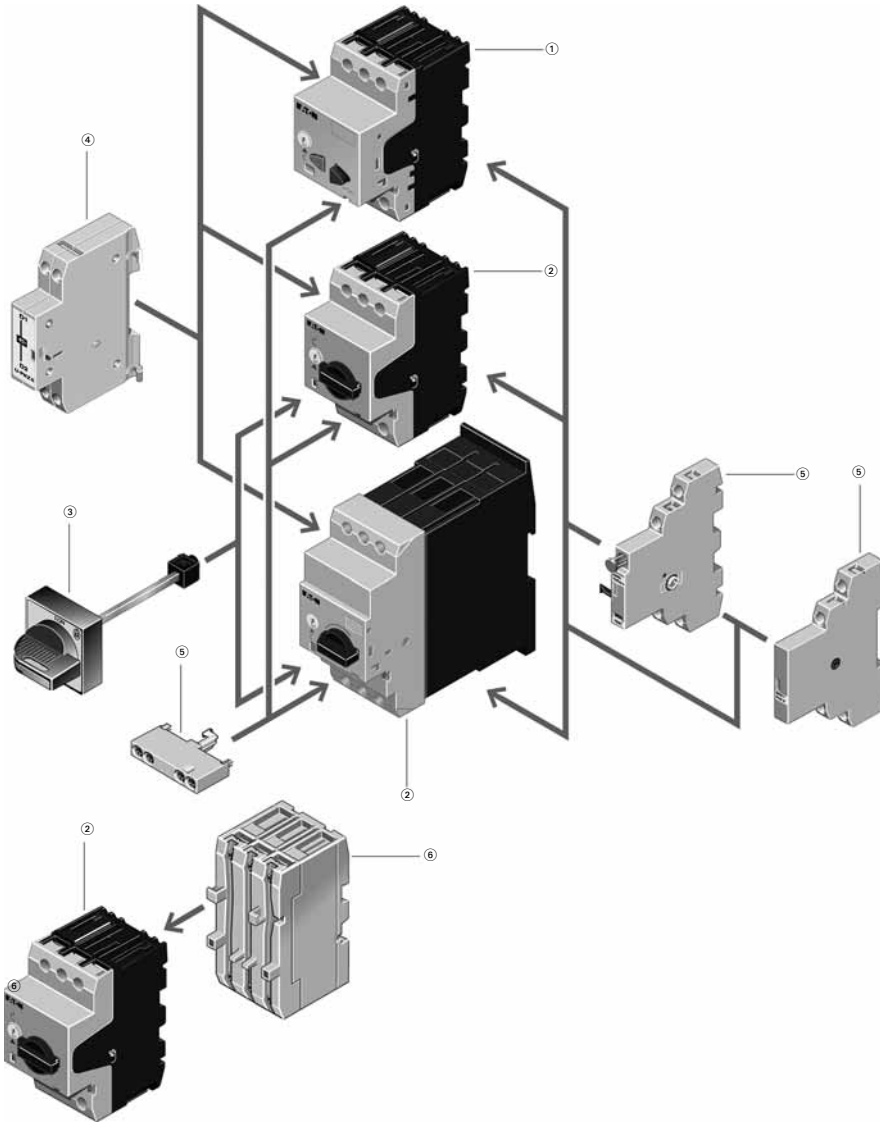
**Note:** For Type 2 Coordination of MMCs, see **Page V5-T1-232**.

### Line Side Adapters—When to Use Them

**Note:** Line side adapters are not required for non-US applications. Most countries outside of the US classify the MMP as a thermal magnetic circuit breaker.



## Product Identification



## Notes

## Basic Units

- ① XTPB pushbutton manual motor protectors (see [Page V5-T1-161](#))  
Rated operational current up to 25A  
Switching capacity 50 kA/415V  
Short-circuit release, adjustable  
 $0.6-1 \times I_u$   
Single-phasing sensitive
- ② XTPR rotary manual motor protectors (see [Page V5-T1-162](#))  
Rated operational current up to 32A, 65A  
Switching capacity 150/50 kA/415V  
Short-circuit release, fixed setting to  $14 \times I_u$   
Overload release, adjustable  $0.6-1 \times I_u$   
Single-phasing sensitive  
With screws or spring-loaded terminals

## Mounting Accessories

- ③ Rotary handle mechanism (see [Page V5-T1-167](#))  
ON/OFF/tripped switch position indication  
Lockable door/cover interlock  
Extendable y plug fit extension shaft  
Handle latched in switch positions  
Optionally also without locking and door interlock function

Insulated enclosures (see [Page V5-T1-171](#))

Surface mounting, enclosures, IP40, IP55 and IP40 and IP55 front flush mounting enclosure

Mounting/wiring (see [Page V5-T1-167](#))

Component adapter for busbar mounting  
Three-phase commoning link for side-by-side-mounting  
Mounting kits for rapid mounting of direct-on-line, reversing and star-delta starters

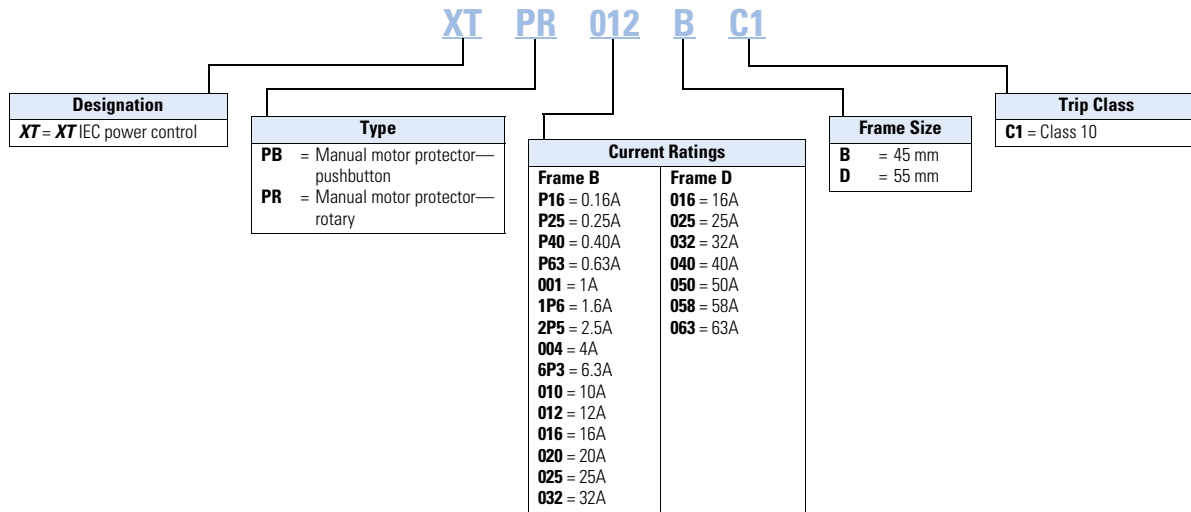
## Add-On Functions

- ④ Voltage releases (see [Page V5-T1-166](#))  
Undervoltage release  
Shunt releases  
With screws or spring-loaded terminals
- ⑤ Standard auxiliary contacts (see [Page V5-T1-164](#))  
ON/OFF indication  
Differential fault indication overload/short-circuit release  
ON/OFF for (high capacity) contact module  
ON/OFF for starter combination  
With early-make contacts  
With screws or spring-loaded terminals
- ⑥ Current limiter (see [Page V5-T1-166](#))  
Increases the switching capacity of the 10–25A manual motor protectors to 100 kA/440V  
Can be used for individual group protection

#### 1

#### Catalog Number Selection

#### XT Manual Motor Protectors



1

Frame B



#### XTPR Rotary Manual Motor Protectors with Screw Terminals— Global Ratings and North American Ratings—Frame B

Type 1 and Type 2 Coordination Motor Protective Device with Thermal and Magnetic Trip

Rated Uninterrupted Current— $I_u = I_g$ (Amps)	FLA Adjustment Range/ Overload Release— $I_r$ (Amps)	Short Circuit Release— $I_m$ (Amps)	Maximum Motor Ratings ①							Maximum hp Rating—P (hp) UL 508/CSA C22.2 No. 14				Screw Terminal Catalog Number
			Maximum kW Rating AC-3—P (kW)							Three-Phase				
			Three-Phase							200V	240V	480V	600V	
0.16	0.1–0.16	2.2	—	—	—	—	0.06	②	②	②	②	XTPRP16BC1		
0.25	0.16–0.25	3.5	—	0.06	0.06	0.06	0.12	②	②	②	②	XTPRP25BC1		
0.4	0.25–0.4	5.6	0.06	0.09	0.12	0.12	0.18	②	②	②	②	XTPRP40BC1		
0.63	0.4–0.63	8.8	0.09	0.12	0.18	0.25	0.25	②	②	②	②	XTPRP63BC1		
1	0.63–1	14	0.12	0.25	0.25	0.37	0.55	②	②	②	②	XTPR001BC1		
1.6	1–1.6	22	0.25	0.55	0.55	0.75	1.1	②	②	3/4	3/4	XTPR1P6BC1		
2.5	1.6–2.5	35	0.37	0.75	1.1	1.1	1.5	1/2	1/2	1	1-1/2	XTPR2P5BC1		
4	2.5–4	56	0.75	1.5	1.5	2.2	3	3/4	3/4	2	3	XTPR004BC1		
6.3	4–6.3	88	1.1	2.2	3	3	4	1	1-1/2	3	5	XTPR6P3BC1		
10	6.3–10	140	2.2	4	4	4	7.5	3	3	7-1/2	10	XTPR010BC1		
12	8–12	168	3	5.5	5.5	5.5	11	3	3	7-1/2	10	XTPR012BC1		
16	10–16	224	4	7.5	9	9	12.5	3	5	10	10	XTPR016BC1		
20	16–20	280	5.5	9	11	12.5	15	5	—	—	15	XTPR020BC1		
25	20–25	350	5.5	12.5	12.5	15	22	—	7-1/2	15	20	XTPR025BC1		
32	25–32	448	7.5	15	15	22	30	7-1/2	10	20	25	XTPR032BC1		

Frame D



#### XTPR Rotary Manual Motor Protectors with Screw Terminals— Global Ratings and North American Ratings—Frame D

Type 1 and Type 2 Coordination Motor Protective Device with Thermal and Magnetic Trip

Rated Uninterrupted Current— $I_u = I_g$ (Amps)	FLA Adjustment Range/ Overload Release— $I_r$ (Amps)	Short Circuit Release— $I_m$ (Amps)	Maximum Motor Ratings ①							Maximum hp Rating—P (hp) UL 508/CSA C22.2 No. 14				Screw Terminal Catalog Number
			Maximum kW Rating AC-3—P (kW)							Three-Phase				
			Three-Phase							200V	240V	480V	600V	
16	10–16	224	4	7.5	9	9	12.5	3	5	10	15	XTPR016DC1		
25	16–25	350	5.5	12.5	12.5	15	22	7-1/2	7-1/2	15	20	XTPR025DC1		
32	25–32	448	7.5	15	17.5	22	22	10	10	20	30	XTPR032DC1		
40	32–40	560	11	20	22	24	30	10	15	30	30	XTPR040DC1		
50	40–50	700	14	25	30	30	45	10	15	30	40	XTPR050DC1		
58	50–58	812	17	30	37	37	55	15	15	40	50	XTPR058DC1		
65	55–65	882	18.5	34	37	45	55	15	15	40	50	XTPR063DC1		

**Notes**

Single-phasing sensitivity to IEC/EN 60947-4-1, VDE 0660 Part 102.

Can be snap-fit to IEC/EN 60715 top-hat (DIN) with 7.5 or 15 mm height.

Service Factor (SF)—Setting  $I_r$  of current scale in dependence of load factor:

$$SF = 1.15 \rightarrow I_r = 1 \times I_{n \text{ mot}}$$

$$SF = 1 \rightarrow I_r = 0.9 \times I_{n \text{ mot}}$$

For manual motor protective circuit breaker switching capacity, see **Page V5-T1-181**.

① Select manual motor protectors by full load amperes. Maximum motor ratings (kW, hp) are for reference only.

② In this range, calculate motor rating according to rated current. Specified values to NEC 430.6(A)(1).

## Manual Motor Protectors



## Manual Motor Protectors

## Product Description

Eaton's new **XT** family of manual motor protectors (MMPs) features a pushbutton or rotary ON/OFF manual disconnect, Class 10 adjustable bimetallic overload relay and fixed magnetic short-circuit trip capability in one compact unit. Two frame sizes are available: Frame B (45 mm) for motors with FLA ratings up to 32A and Frame D (55 mm) covers motor FLA ratings up to 65A.

## Application Description

The XTPB and XTPR MMPs can be used in the following applications.

**Motor Protective Circuit Breaker**

In many countries outside of the United States and Canada, especially Europe, the MMPs are tested and classified as thermal-magnetic circuit breakers for use in motor branch circuits. This can be an important consideration for all companies who export their equipment and machines internationally. Both the XTPB and XTPR conform to IEC/EN 60947 and have the CE Mark.

**Manual Motor Protectors**

The XTPB and XTPR MMPs are UL listed under UL 508 as manual motor protectors. They provide an economical solution for applications requiring simple manual starting and stopping of motors. When used as a manual starter, they are typically installed in an enclosure. Many enclosures are offered as accessories for the MMPs. Separate short-circuit protective devices, such as circuit breakers or fuses, are wired ahead of the MMPs. The short-circuit protective device should be sized per the NEC and should not exceed 400% of the maximum FLA dial setting of the MMP.

## Contents

**Description**

	<b>Page</b>
Relays and Timers . . . . .	<b>V5-T1-3</b>
Miniature Controls . . . . .	<b>V5-T1-18</b>
Contactors and Starters . . . . .	<b>V5-T1-35</b>
Thermal Overload Relays . . . . .	<b>V5-T1-128</b>
C440/ <b>XT</b> Electronic Overload Relay . . . . .	<b>V5-T1-141</b>
Manual Motor Protectors	
Features and Benefits . . . . .	<b>V5-T1-158</b>
Standards and Certifications . . . . .	<b>V5-T1-158</b>
Product Identification . . . . .	<b>V5-T1-159</b>
Catalog Number Selection . . . . .	<b>V5-T1-160</b>
Product Selection . . . . .	<b>V5-T1-161</b>
Accessories . . . . .	<b>V5-T1-164</b>
Technical Data and Specifications . . . . .	<b>V5-T1-176</b>
Dimensions . . . . .	<b>V5-T1-185</b>
Combination Motor Controllers . . . . .	<b>V5-T1-193</b>
<b>XT</b> Electronic Manual Motor Protector . . . . .	<b>V5-T1-216</b>
EMS—Electronic Motor Starter . . . . .	<b>V5-T1-229</b>
Reference Data . . . . .	<b>V5-T1-231</b>

**Group Motor Installations**

A group motor installation can be defined as more than one motor circuit protected by a single set of fuses or circuit breaker on a motor branch circuit. This eliminates the need for individual fuses or circuit breakers for each motor circuit. Substantial component cost savings, panel space savings and reduced wiring installation time can be achieved in group motor installations.

The MMPs are tested and listed for group installation. If remote operation is required, a magnetic contactor can be wired in series with the MMP.

Article 430.53 of the NEC contains the rules and requirements for group motor installations. Refer to application note AP03402001E for NEC requirement for group motor installation.

**Individual Branch Motor Applications**

A UL 508 Type E self-protected manual combination starter/motor controller consists of a single device possessing four essential elements: disconnect, short circuit protection, motor controller, and motor overload protection. Some MMPs require use of a lineside adapter for this type of approval. When tested as an official combination by UL, this device takes the place of a fuse-starter or breaker-starter, **XT** Type E MMPs are self-protected, meaning they do not need additional short circuit protection of a fuse or breaker. Type E devices can also be used with a contactor or other types of UL approved controllers. If tested with a contactor, the combination motor controller becomes a Type F device. See **Page V5-T1-199** for XTFC Type F devices.

#### 1

### Features and Benefits

- ON/OFF rotary handle with lockout provision
- Visible trip indication
- Class 10 overload protection
- Phase loss sensitivity
- Ambient temperature compensation to IEC/EN 60947, VDE 0660
- Fixed short-circuit trip—14 times maximum setting of overload FLA dial
- Type 2 coordination per IEC 947
- Identification markers standard on starter faceplate
- Motor applications from 0.1A to 65A
- Built-in heater and magnetic trip elements to protect the motor
- Adjustment dial for setting motor FLA
- DIN rail mount
- Terminal types available:
  - Screw terminals
  - Screw (line) and spring cage (load) terminals
  - Spring cage terminals
- Accessories include:
  - Front and side auxiliary contacts
  - Trip indicating contacts
  - Tamperproof cover for OLR dial
  - Undervoltage release
  - Shunt trip
  - Through-the-door operators
  - Enclosures
  - Three-phase line side connecting links

### Standards and Certifications

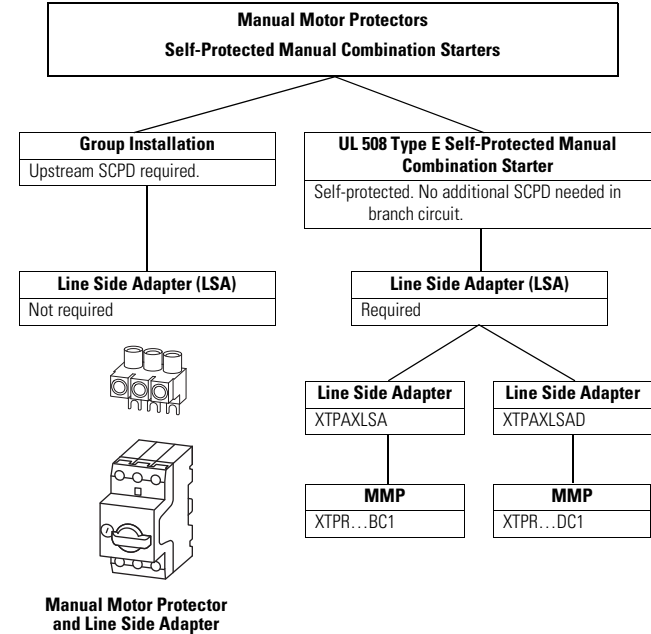
- CE approved
- UL listed File No. E245398
- UL 508 group motor and Type E compliant
- IEC/EN 60947
- CSA File 229767, Class 3211-05
- DIN VDE 0660 Part 100, Part 101 and Part 102



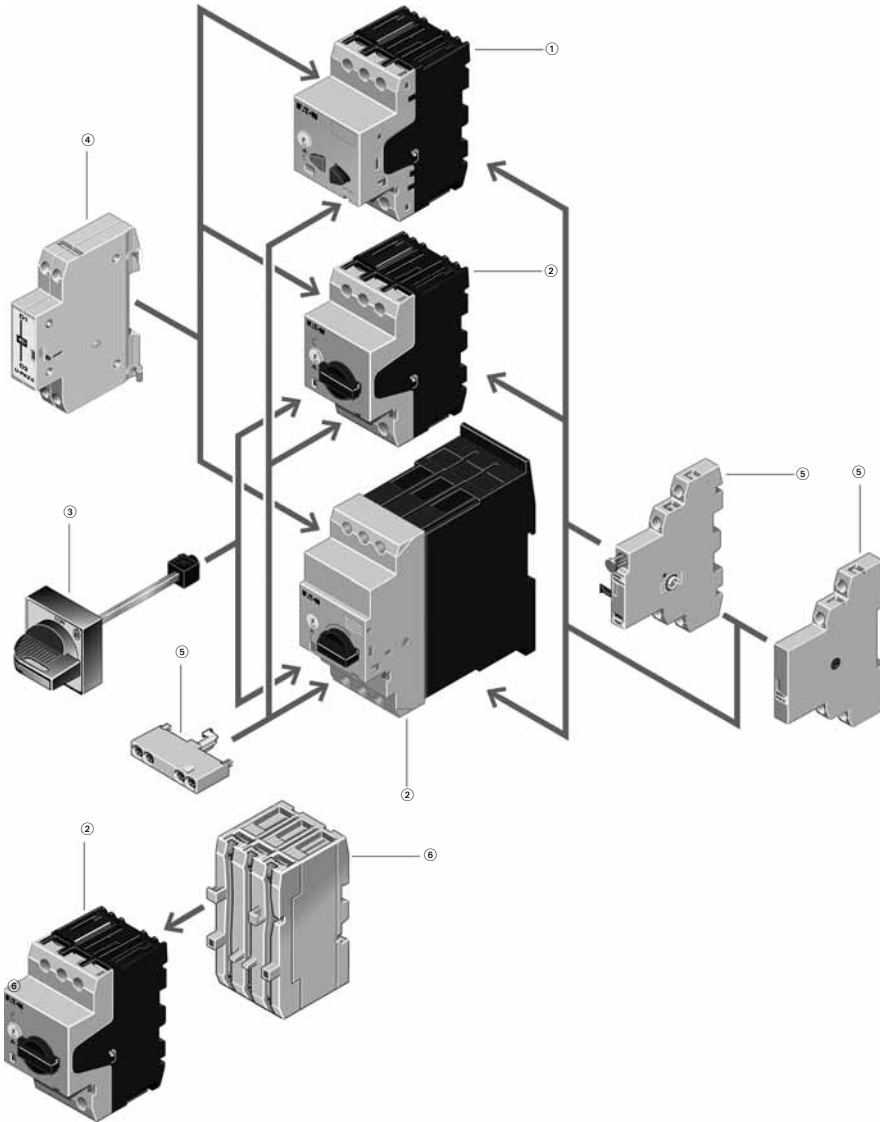
**Note:** For Type 2 Coordination of MMCs, see **Page V5-T1-232**.

### Line Side Adapters—When to Use Them

**Note:** Line side adapters are not required for non-US applications. Most countries outside of the US classify the MMP as a thermal magnetic circuit breaker.



## Product Identification



## Notes

## Basic Units

- ① XTPB pushbutton manual motor protectors (see [Page V5-T1-161](#))  
Rated operational current up to 25A  
Switching capacity 50 kA/415V  
Short-circuit release, adjustable  
 $0.6-1 \times I_n$   
Single-phasing sensitive
- ② XTPR rotary manual motor protectors (see [Page V5-T1-162](#))  
Rated operational current up to 32A, 65A  
Switching capacity 150/50 kA/415V  
Short-circuit release, fixed setting to  $14 \times I_n$   
Overload release, adjustable  $0.6-1 \times I_n$   
Single-phasing sensitive  
With screws or spring-loaded terminals

## Mounting Accessories

- ③ Rotary handle mechanism (see [Page V5-T1-167](#))  
ON/OFF/tripped switch position indication  
Lockable door/cover interlock  
Extendable y plug fit extension shaft  
Handle latched in switch positions  
Optionally also without locking and door interlock function

Insulated enclosures (see [Page V5-T1-171](#))

Surface mounting, enclosures, IP40, IP55 and IP40 and IP55 front flush mounting enclosure

Mounting/wiring (see [Page V5-T1-167](#))

Component adapter for busbar mounting  
Three-phase commoning link for side-by-side-mounting  
Mounting kits for rapid mounting of direct-on-line, reversing and star-delta starters

## Add-On Functions

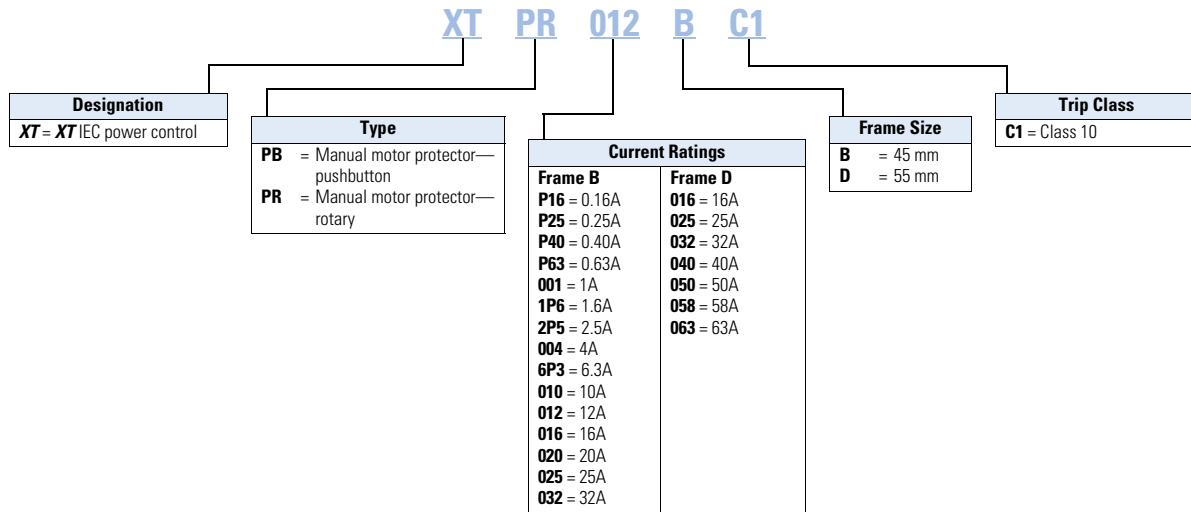
- ④ Voltage releases (see [Page V5-T1-166](#))  
Undervoltage release  
Shunt releases  
With screws or spring-loaded terminals
- ⑤ Standard auxiliary contacts (see [Page V5-T1-164](#))  
ON/OFF indication  
Differential fault indication overload/short-circuit release  
ON/OFF for (high capacity) contact module  
ON/OFF for starter combination  
With early-make contacts  
With screws or spring-loaded terminals
- ⑥ Current limiter (see [Page V5-T1-166](#))  
Increases the switching capacity of the 10–25A manual motor protectors to 100 kA/440V  
Can be used for individual group protection



#### 1

### Catalog Number Selection

#### XT Manual Motor Protectors



1

Frame B



### XTPR Rotary Manual Motor Protectors with Screw Terminals— Global Ratings and North American Ratings—Frame B

Type 1 and Type 2 Coordination Motor Protective Device with Thermal and Magnetic Trip

Rated Uninterrupted Current— $I_u = I_e$ (Amps)	FLA Adjustment Range/ Overload Release— $I_r$ (Amps)	Short Circuit Release— $I_m$ (Amps)	Maximum Motor Ratings ①						Maximum hp Rating—P (hp) UL 508/CSA C22.2 No. 14				Screw Terminal Catalog Number
			Maximum kW Rating AC-3—P (kW)						Three-Phase				
			Three-Phase		220– 240V	380– 415V	440V	500V	660– 690V	200V	240V	480V	
0.16	0.1–0.16	2.2	—	—	—	—	0.06	②	②	②	②	XTPRP16BC1	
0.25	0.16–0.25	3.5	—	0.06	0.06	0.06	0.12	②	②	②	②	XTPRP25BC1	
0.4	0.25–0.4	5.6	0.06	0.09	0.12	0.12	0.18	②	②	②	②	XTPRP40BC1	
0.63	0.4–0.63	8.8	0.09	0.12	0.18	0.25	0.25	②	②	②	②	XTPRP63BC1	
1	0.63–1	14	0.12	0.25	0.25	0.37	0.55	②	②	②	②	XTPR001BC1	
1.6	1–1.6	22	0.25	0.55	0.55	0.75	1.1	②	②	3/4	3/4	XTPR1P6BC1	
2.5	1.6–2.5	35	0.37	0.75	1.1	1.1	1.5	1/2	1/2	1	1-1/2	XTPR2P5BC1	
4	2.5–4	56	0.75	1.5	1.5	2.2	3	3/4	3/4	2	3	XTPR004BC1	
6.3	4–6.3	88	1.1	2.2	3	3	4	1	1-1/2	3	5	XTPR6P3BC1	
10	6.3–10	140	2.2	4	4	4	7.5	3	3	7-1/2	10	XTPR010BC1	
12	8–12	168	3	5.5	5.5	5.5	11	3	3	7-1/2	10	XTPR012BC1	
16	10–16	224	4	7.5	9	9	12.5	3	5	10	10	XTPR016BC1	
20	16–20	280	5.5	9	11	12.5	15	5	—	—	15	XTPR020BC1	
25	20–25	350	5.5	12.5	12.5	15	22	—	7-1/2	15	20	XTPR025BC1	
32	25–32	448	7.5	15	15	22	30	7-1/2	10	20	25	XTPR032BC1	

Frame D



### XTPR Rotary Manual Motor Protectors with Screw Terminals— Global Ratings and North American Ratings—Frame D

Type 1 and Type 2 Coordination Motor Protective Device with Thermal and Magnetic Trip

Rated Uninterrupted Current— $I_u = I_e$ (Amps)	FLA Adjustment Range/ Overload Release— $I_r$ (Amps)	Short Circuit Release— $I_m$ (Amps)	Maximum Motor Ratings ①						Maximum hp Rating—P (hp) UL 508/CSA C22.2 No. 14				Screw Terminal Catalog Number
			Maximum kW Rating AC-3—P (kW)						Three-Phase				
			Three-Phase		220– 240V	380– 415V	440V	500V	660– 690V	200V	240V	480V	
16	10–16	224	4	7.5	9	9	12.5	3	5	10	15	XTPR016DC1	
25	16–25	350	5.5	12.5	12.5	15	22	7-1/2	7-1/2	15	20	XTPR025DC1	
32	25–32	448	7.5	15	17.5	22	22	10	10	20	30	XTPR032DC1	
40	32–40	560	11	20	22	24	30	10	15	30	30	XTPR040DC1	
50	40–50	700	14	25	30	30	45	10	15	30	40	XTPR050DC1	
58	50–58	812	17	30	37	37	55	15	15	40	50	XTPR058DC1	
65	55–65	882	18.5	34	37	45	55	15	15	40	50	XTPR063DC1	

**Notes**

Single-phasing sensitivity to IEC/EN 60947-4-1, VDE 0660 Part 102.

Can be snap-fit to IEC/EN 60715 top-hat (DIN) with 7.5 or 15 mm height.

Service Factor (SF)—Setting  $I_r$  of current scale in dependence of load factor:

$$SF = 1.15 \rightarrow I_r = 1 \times I_{n \text{ mot}}$$

$$SF = 1 \rightarrow I_r = 0.9 \times I_{n \text{ mot}}$$

For manual motor protective circuit breaker switching capacity, see **Page V5-T1-181**.

① Select manual motor protectors by full load amperes. Maximum motor ratings (kW, hp) are for reference only.

② In this range, calculate motor rating according to rated current. Specified values to NEC 430.6(A)(1).