

REV.	DATE	DESCRIPTION	ECO	BY	C.H.K.
C	12/7/2009 9:45:00 AM	CHANGE ALL Y750-2HSXT TO Y750CHSXT	19769	TRF	MAC

SPECIFICATIONS Y750HSXT

Force developed : 12 tons
 Weight : 14.5 lbs. (6.6 kg)
 Length : 23.96" (608 mm)
 Height : 2.86" (73 mm)
 Width : 8.71" (222 mm)
 Jaw opening : 1.70" (43 mm)

SPECIFICATIONS Y750CHSXT

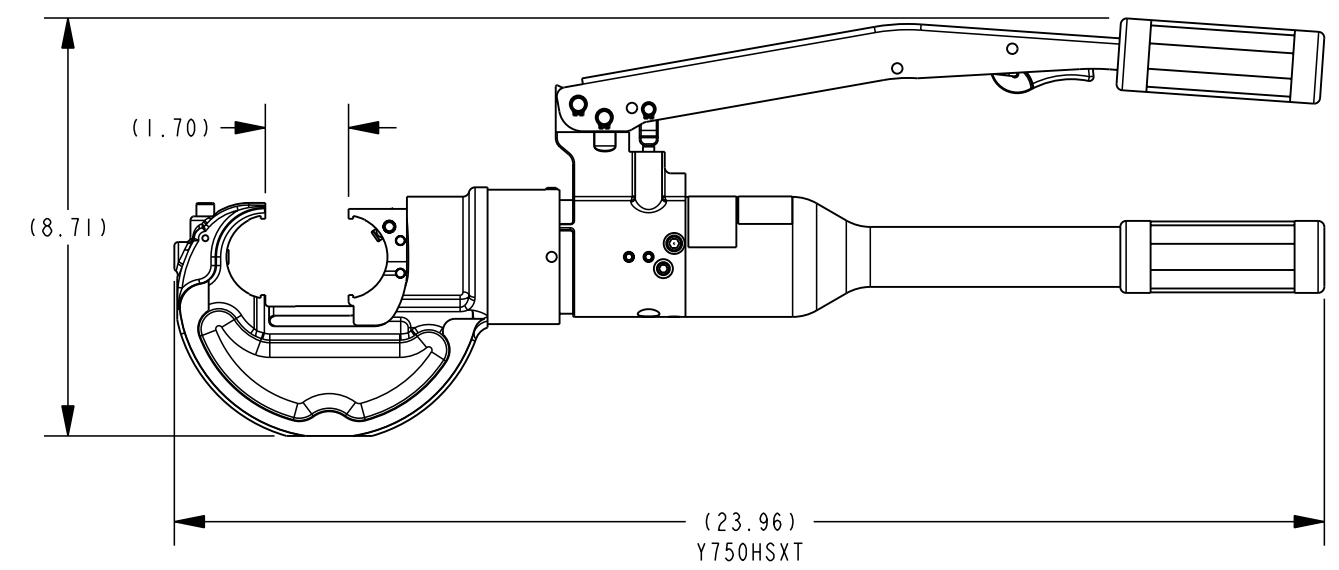
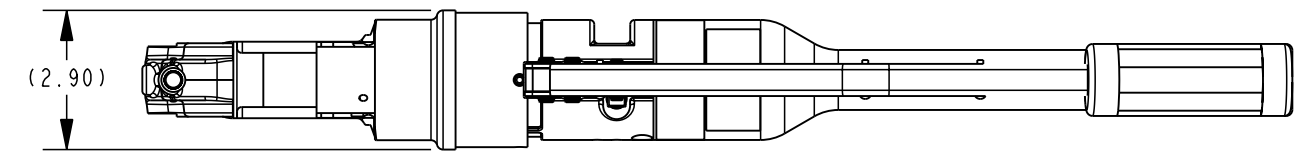
Force developed : 12 tons
 Weight : 17.2 lbs. (7.8 kg)
 Length : 24.1" (612 mm)
 Height : 3.06" (78 mm)
 Width : 8.9" (226 mm)
 Jaw opening : 1.70" (43 mm)

FOR USE ON

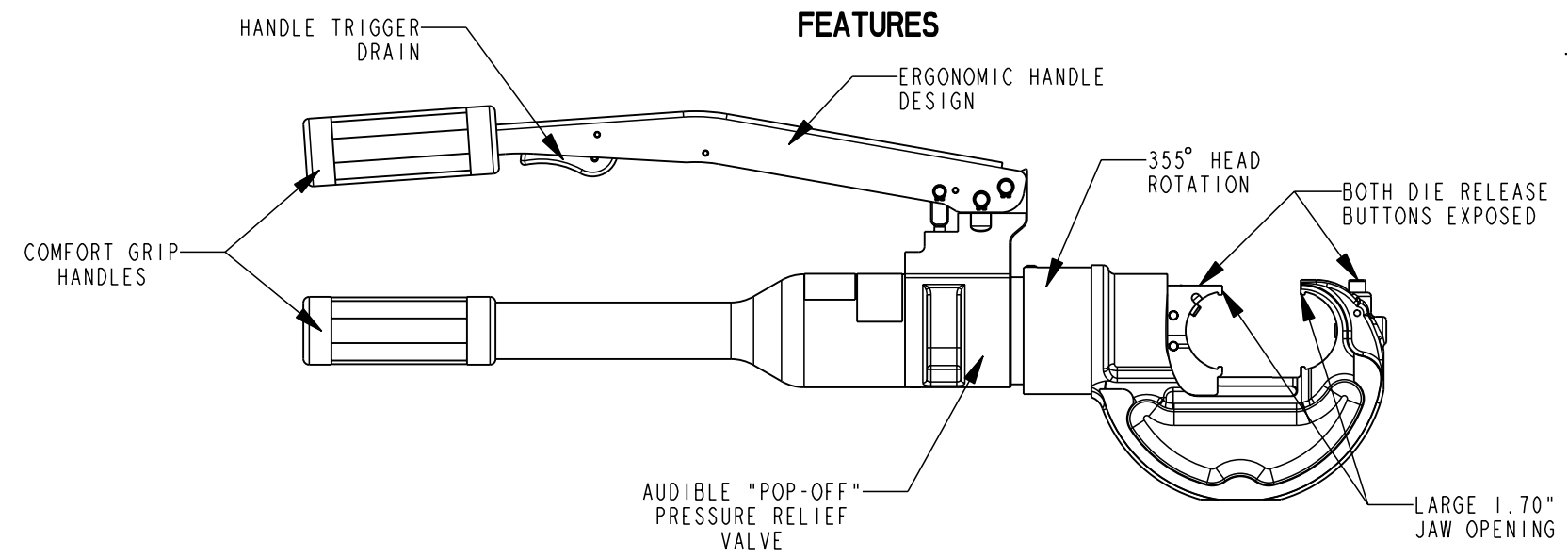
- Tension Sleeves
 - Copper # 8 sol.-500kcmil
 - Aluminum # 8sol.-587-2kcmil
 - ACSR # 4-556.5kcmil
- Taps
 - Copper # 14 sol.-500kcmil
 - Aluminum # 8-500kcmil
- Aerial Cable
 - Copper # 6-500kcmil
- Terminals & Splices
 - Aluminum # 8 -750kcmil
 - Copper # 8-750kcmil
 - ACSR # 4-556 kcmil
- HYGROUND (Compression Ground)
 - Copper # 8-500 kcmil (cable/ground rod)
 - Ground Rods 1/2"-1" Diameter

ACCESSORIES

Cat. No. Description
 PT10024162 Plastic Carrying Case for Y750HSXT and Y750CHSXT



FEATURES



BENEFITS

- . Covers a wide range of applications with a lightweight, self-contained system and provides easy tool removal from continuous conductors with its C-shaped head.
- . Easy tool positioning with its 355° head rotation.
- . Patented rapid advance pump for faster crimps.
- . Exposed positive die lock buttons for easy die change out and die retention.
- . Handle trigger drain for convenient ram retraction.
- . Quality assurance is provided with an audible "Pop-Off" pressure relief valve.
- . Comfort grip handles help ease operator fatigue with continuous use.
- . Long life expectancy from the company that provided the industry with the first self-contained hydraulic tool in 1934.
- . Rubber covered head and handles on Y750CHSXT for tool impact protection.
- . Supplied with high impact plastic carrying case.
- . Five year limited warranty and two years on all tools repaired by an Authorized BURNDY® Tool Repair Center.

TO ORDER BURNDY® PRODUCTS CALL		Y750HSXT, Y750CHSXT SELF CONTAINED TOOL	
UNITED STATES:		ITEM NO: 10074286, 10075515	
1-800-346-4175 (LONDONDERRY, NH)		CAT. NO: Y750HSXT, Y750CHSXT	
CANADA:		DRAWN BY: T. FAUCHER 04/13/2007	
1-800-361-6975 (QUEBEC)		CHECKER: M. CHIASSON 04/13/2007	
1-800-387-6487 (ALL OTHER PROVINCES)		DSN APPVL: J. LEFAVOUR 04/19/2007	
FOR PRODUCT INFO: http://www.burndy.com		MFG APPVL: --	
		QA APPVL: J. BRODEUR 04/19/2007	
		MKT APPVL: B. POIRIER 05/17/2007	
		PROJ FAM: TOOLS, HYDRAULIC	
		PROJECT #: --	
		DOCUMENT TYPE: Sales	
		REL LEVEL: Released	
		SCALE: 1:1	
		DRAWING NO	
		10076340	
		REV	
		C	
		SHEET 1 OF 1	

REV: PE0200