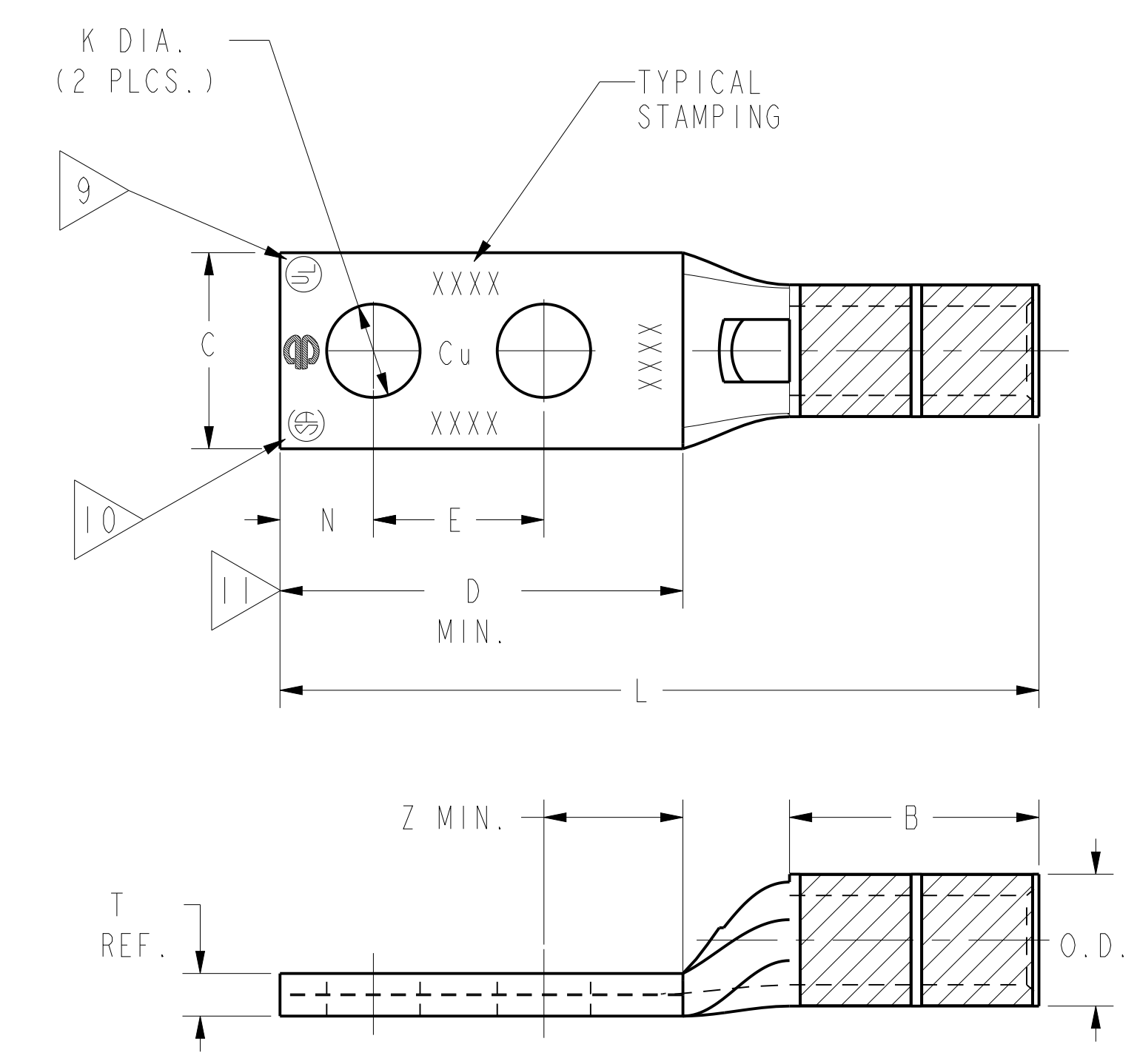


CATALOG NUMBER	STRANDED COPPER CONDUCTOR ACCOMMODATED			BOLT SIZE	METRIC BOLT SIZE	DIMENSIONS								
	CODE (AWG)	NAVY	METRIC SIZE (CLASS 2)			B	C	E	K DIA.	L	N	O.D.	T REF.	Z REF.
YA27L2TC14E1	3/0 AWG	150	-----	1/4	M6	1.00 [25]	.90 [23]	1.00 [25]	.27 [7]	3.11 [79]	.31 [8]	.62 [16]	.12 [3]	.33 [8]
YA27L2TC14E2				1/4	M6	.90 [23]	.75 [19]	.27 [7]	2.86 [73]	.31 [8]	.12 [3]	.33 [8]		
YA272L				3/8	M10	.91 [23]	1.00 [25]	.41 [10]	3.30 [84]	.41 [10]	.13 [3]	.42 [11]		
YA27L2TC38				3/8	M10	.90 [23]	1.00 [25]	.41 [10]	3.30 [84]	.41 [10]	.12 [3]	.42 [11]		
YA27L2TC38E10				3/8	M10	.90 [23]	1.25 [32]	.41 [10]	3.55 [90]	.41 [10]	.12 [3]	.42 [11]		
YA27L2TC12E11				1/2	M12	.91 [23]	2.00 [51]	.53 [13]	4.55 [116]	.53 [13]	.13 [3]	.55 [14]		
YA272LN				1/2	M12	.91 [23]	1.75 [44]	.56 [14]	4.48 [114]	.63 [16]	.13 [3]	.64 [16]		
YA28L2TC14E2	4/0 AWG	200	-----	1/4	M6	.88 [22]	1.02 [26]	.75 [19]	.27 [7]	2.78 [71]	.31 [8]	.69 [18]	.14 [4]	.33 [8]
YA28L2TC14E1				1/4	M6	1.00 [25]	.27 [7]	3.03 [77]	.31 [8]	.33 [8]				
YA28L2NTC516				5/16	-----	1.75 [44]	.33 [8]	3.84 [98]	.34 [9]	.36 [9]				
YA28L2TC38E2				3/8	M10	.75 [19]	.41 [10]	2.97 [75]	.41 [10]	.42 [11]				
YA282L				3/8	M10	1.00 [25]	.41 [10]	3.22 [82]	.41 [10]	.42 [11]				
YA28L2TC38				3/8	M10	1.00 [25]	.41 [10]	3.22 [82]	.41 [10]	.42 [11]				
YA282LN				1/2	M12	1.75 [44]	.56 [14]	4.41 [112]	.63 [16]	.64 [16]				
YA28L2TC38E10				3/8	M10	1.25 [32]	.41 [10]	3.47 [88]	.41 [10]	.42 [11]				



CATALOG NO.	COLOR CODE	DIE INFORMATION		MECHANICAL				HYDRAULIC				DIELESS (# CRIMPS)	WIRE STRIP LENGTH		
		DIE INDEX	TYPE	YIMRTC	OUR840	MD6 MD7	MD6--R2 MD7-34R	Y34A Y34B Y34BH	Y35,Y39 Y750, PAT750	Y46 PAT46	Y45			Y48B	Y60BHU
YA27 SERIES	ORANGE	14	ORANGE DIE SET	-----	X27RT(3)	W27RT(2) W27VT(2)	W27RT(2) W27VT(2)	-----	U27RT(1)	U27RT(1)	U27RT(1)	-----	-----	MECHANICAL: MRC840(2) MY29-3(1) MY29-11(1)	1-1/16"
			NEST	-----	-----	-----	B27D(1) A27D(1)	U27D-1(1)	U27D-1(1)	U27D-1(1)	-----	-----			
			INDENTOR	-----	-----	-----	Y34PR	Y34PR	Y34PR	Y34PR	-----	-----			
YA28 SERIES	PURPLE	15	PURPLE DIE SET	-----	X28RT(3)	W28RT(2) W28VT(2)	W28RT(2) W28VT(2)	-----	U28RT(1)	U28RT(1)	U28RT(1)	C28R(1)	L28RT(1)	HYDRAULIC: Y81KFT(2) Y4PC834(2) Y644(1)	1-1/8"
			NEST	-----	-----	-----	B28D(1) A28D(1)	U28D-1(1)	U28D-1(1)	U28D-1(1)	C28D(1)	-----			
			INDENTOR	-----	-----	-----	Y34PR	Y34PR	Y34PR	Y34PR	Y48PR	-----			

- NOTES:
- MATERIAL: COPPER TUBING.
  - FINISH: TIN PLATED.

- CATALOG # PT6515 ADAPTOR IS REQUIRED TO USE "U" DIES IN Y45 SERIES TOOLS.
- CATALOG # PUADP-1 ADAPTOR IS REQUIRED TO USE "U" DIES IN Y46 SERIES TOOLS.
- Y35P3 INDENTOR ADAPTOR REQUIRED FOR Y34PR INDENTOR.
- PERMANENT DIE IN TOOLING.

- DIMENSIONS IN BRACKETS [ ] ARE IN MILLIMETERS ROUNDED OFF TO THE NEAREST MILLIMETER, UNLESS OTHERWISE NOTED, AND ARE FOR REFERENCE ONLY.
- FOR USE BY CUSTOMERS THAT HAVE THIS HYPRESS™ NO NEW Y34A HYPRESS™ TOOLS ARE BEING PROCESSED. Y34A USES A--D TYPE NEST DIES.
- CONNECTORS ARE UL LISTED; UNDRILLED VERSIONS ARE NOT UL LISTED.
- CONNECTORS ARE CSA CERTIFIED; UNDRILLED VERSIONS ARE NOT CSA CERTIFIED.

CONNECTOR SIZE	TOLERANCES						
	B	C	E	K DIA.	L	N	O.D.
-8C THRU -25	±.06	±.04	±.02	±.02	±.09	±.03	±.01
-26 THRU -34	±.08	±.04	±.02	±.02	±.12	±.03	±.01
-35 AND UP	±.09	±.06	±.02	±.02	±.15	±.06	±.01

TOLERANCE BLOCK

- FOR UNDRILLED VERSIONS ADD SUFFIX "-U" TO END OF CATALOG NUMBER. FOR UNDRILLED VERSIONS, USE D MIN. = N MAX. + E MIN. + Z MIN.
- "X", "W-RT", "W-VT", "U", & "L" DIE SETS ARE COLOR CODED. "A", "B", AND "C" DIES ARE NOT COLOR CODED. NESTS AND INDENTOR TYPE ARE NOT COLOR CODED.
- FINISH: TIN PLATED. THE FOLLOWING SUFFIXES DENOTE OPTIONAL PLATING TYPES. BR = BARE; LD = LEAD; NK = NICKEL; SV = SILVER. ( EXAMPLE: YAV4CL2TC14NK)

TO ORDER BURNDY® PRODUCTS CALL		HYLUG™ (COPPER)	
UNITED STATES 1-800-346-4175 (LONDONDERRY, NH)		ITEM NO: N/A	CAT. NO: YA--2L-, YA--2TC- (TABLE)
CANADA: 1-800-361-6975 (QUEBEC) 1-800-387-6487 (ALL OTHER PROVINCES)		DRAWN BY: J.MICHAUD 11/16/94	CHECKER: D.FILLION 11/16/94
FOR PRODUCT INFO: <a href="http://www.burndy.com">http://www.burndy.com</a>		DSN APPVL: C.PALAGI 10/24/94	MFG APPVL: --
		QA APPVL: C.ACKERMAN 11/17/94	MKT APPVL: T.NELSON 11/10/94
		PROD FAM: CM&R COMPRESSION	DRAWING NO: REV
		PROJECT #: --	SIZE: SD035209
		DOCUMENT TYPE: Sales	SHEET 8 OF 18
		REL LEVEL: Released	J

REFERENCE: SE209512  
SUPERSEDES: SC91923

REV: PEO200